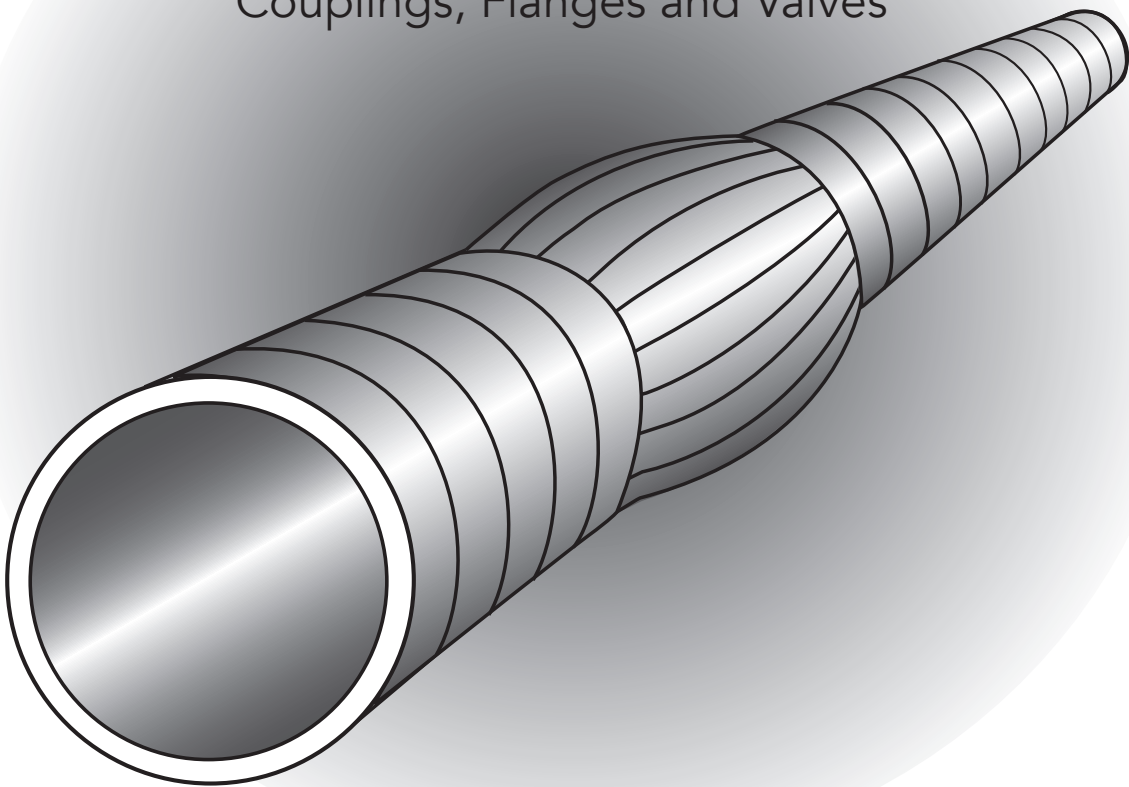


A HAND APPLIED SURFACE TOLERANT TAPE WRAP SYSTEM FOR ELEVATED AMBIENT TEMPERATURES, DESIGNED TO PROVIDE A LONG-TERM SERVICE LIFE IN SEVERE CORROSIVE ENVIRONMENTS WHERE ABRASIVE CLEANING IS NOT PRACTICALLY POSSIBLE.

INSTRUCTIONS FOR USE

For Above Ground Application to (uv) Exposed Pipes, Couplings, Flanges and Valves



COMPONENTS

- PREMPASTETM
- PREMTAPE MASTIC LD (tropical) - for joints
- PREMTAPETM TROPICAL
- PREMIER ULTRASEAL RTTM
- PREMIERTM ACRYLIC TOPCOAT

APPLICATION PROCEDURE

1. SURFACE PREPARATION

Surfaces must be clean and dry. Remove all loose rust, scale and flaking coatings by scraping, wire brushing or blast cleaning if practically possible/achievable.

2. PRIMING - PREMPASTETM

For small diameter pipes and fittings (e.g. service pipes) apply Prempaste by gloved hand in a thin layer over the entire surface including threads, crevices and pitted areas. For larger areas, brush Premtape Liquid Primer over the entire area.

3. PROFILING APPLICATION TO COUPLINGS, FLANGES AND VALVES - PREMTAPE MASTIC LD (TROPICAL)

Apply sufficient Premtape Mastic LD (tropical) to ensure the Premtape Tropical can be applied afterwards to all contours without forming voids or air gaps - See figures 1&2

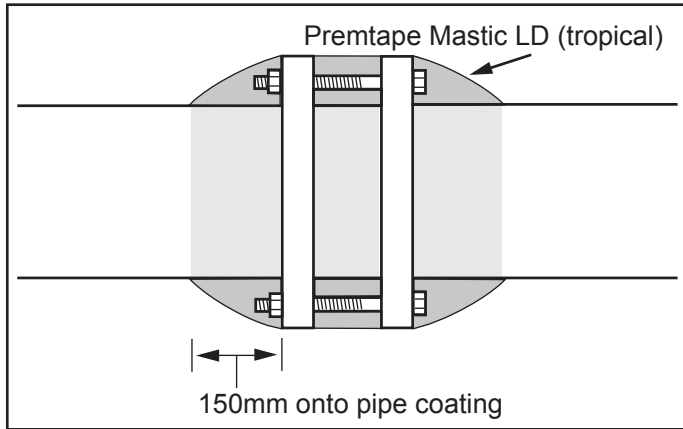


Fig 1.

Use Premtape Mastic LD (tropical) to build up and smooth the contours of the coupling or flange prior to wrapping with tape.

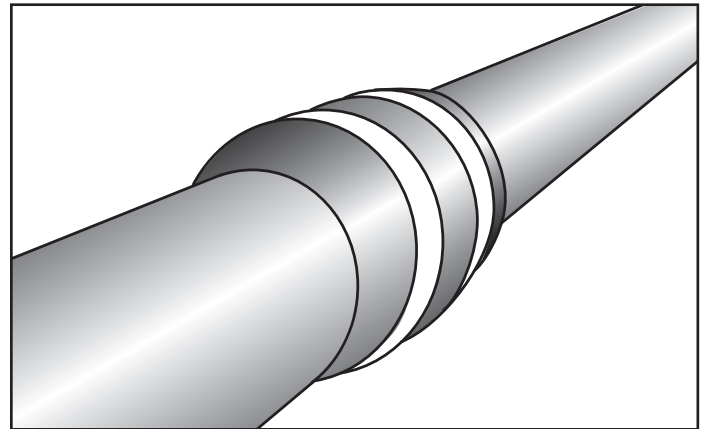


Fig 2.

The profiled coupling or flange ready for the application of Premtape Tropical.

4. TAPE APPLICATION TO COUPLINGS, FLANGES AND VALVES - PREMTAPE TROPICAL

Prepare pre-cut strips of Premtape Tropical to apply in a longitudinal weatherboard fashion, one side at a time, starting at the bottom and working towards the crown.

Commence 150mm on one side of the coupling or flange and terminate approximately 150mm past the coupling or flange on the other side. 150mm is sufficient for this kind of application.

Ensure each strip overlaps the adjacent strip by 55% (see Figs 3 & 4)

Tie in the edges of the strips on each side of the coupling or flange by applying circumferentially a couple of turns of Premtape Tropical using a 55% overlap (see Fig 5.)

This wrapping process should then be repeated again in the same way using Premier Ultraseal RT prior to the application of the Premier Acrylic Topcoat.

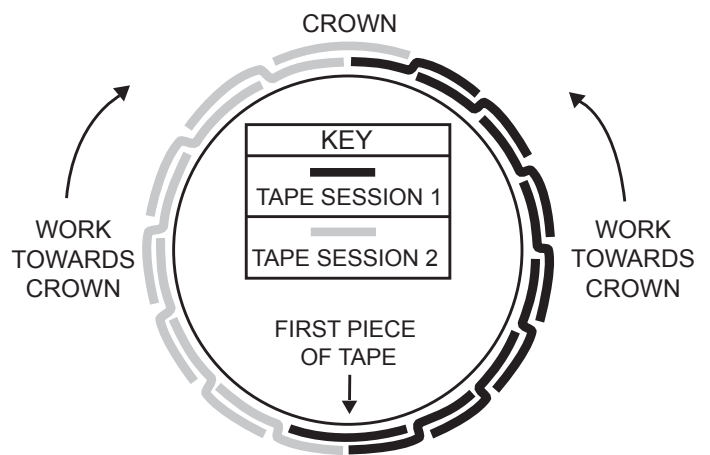


Fig 3.

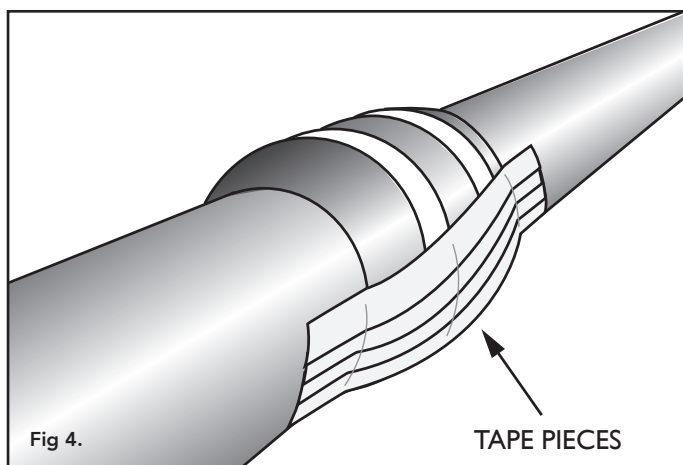


Fig 4.

TAPE PIECES

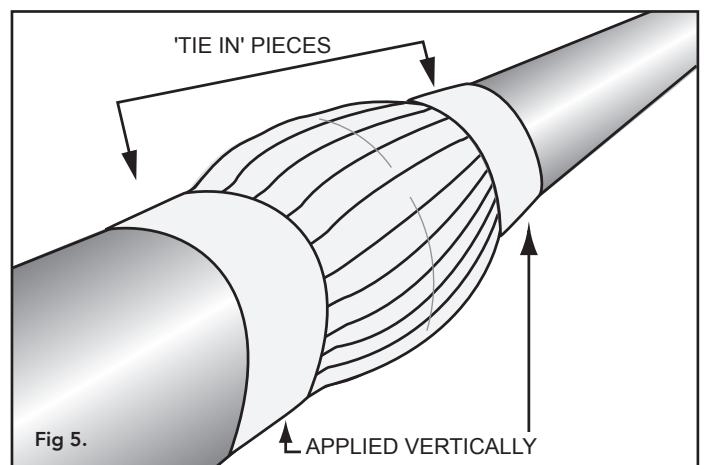


Fig 5.

'TIE IN' PIECES
APPLIED VERTICALLY

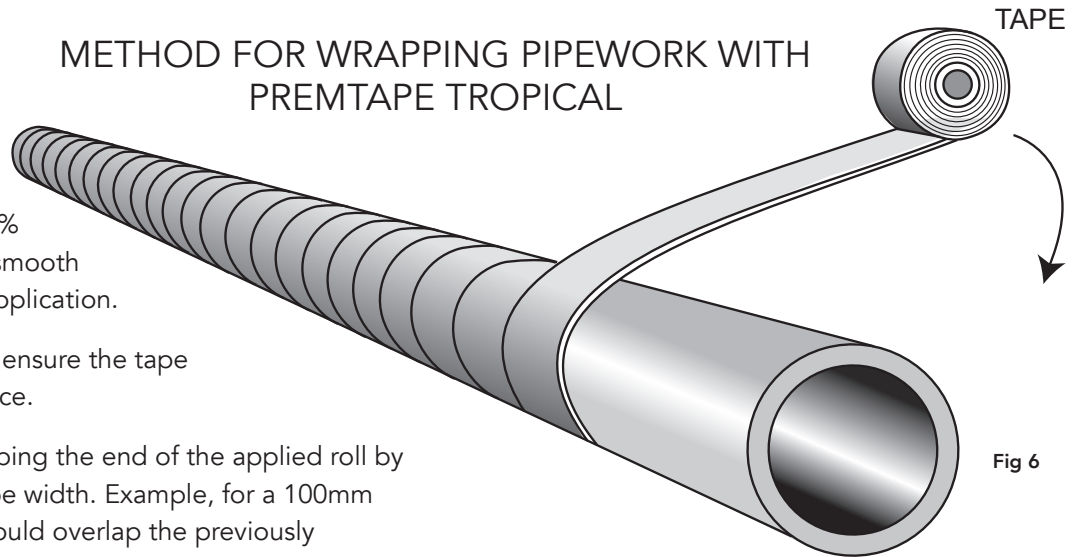
5. TAPE APPLICATION TO PIPEWORK - PREMTAPE TROPICAL

METHOD FOR WRAPPING PIPEWORK WITH PREMTAPE TROPICAL

Apply the Premtape Tropical spirally using a 55% overlap on each turn and smooth down thoroughly during application.

Apply sufficient tension to ensure the tape conforms to the pipe surface.

Start a new roll by overlapping the end of the applied roll by the same length as the tape width. Example, for a 100mm width tape the new roll should overlap the previously applied roll by 100mm.



6. TAPE APPLICATION TO PIPEWORK - PREMIER ULTRASEAL RT

Peel back about 0.5m of interleaving and apply the adhesive side of the tape firmly to the pipe (see Fig 7).

Unroll the tape about 0.5m, peel back the interleaving and wrap the tape spirally ensuring correct alignment.

Do not overstretch the tape but apply sufficient tension to ensure the tape conforms to the pipe surface.

Overlap each turn by a minimum of 55% (see Fig 8).

Start a new roll by overlapping the end of the applied roll by the same length as the tape width (see Fig 9).

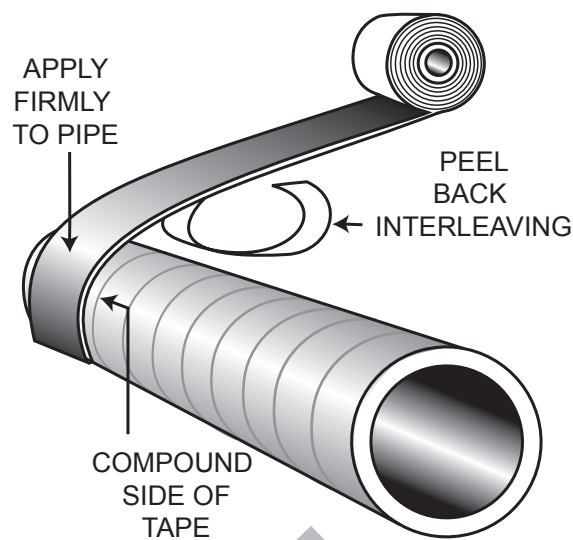


Fig 7. Starting the first roll of tape.

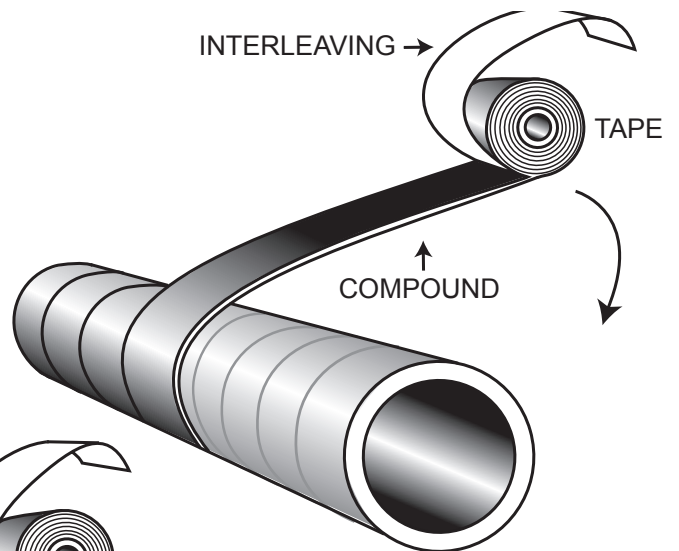


Fig 8. The correct application procedure for wrapping tape

OVERLAP END OF TAPE BY THE SAME LENGTH AS THE TAPE WIDTH

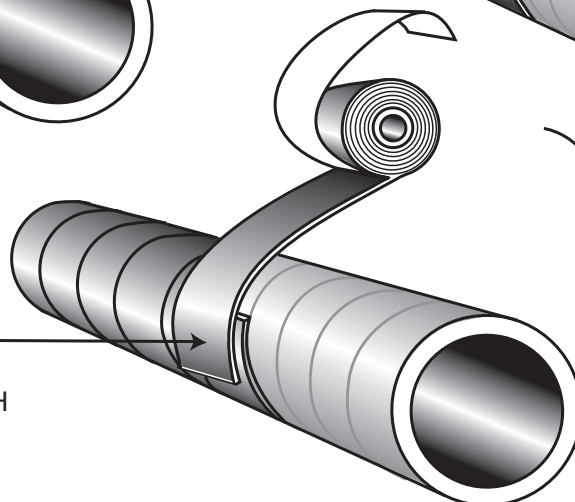


Fig 9. Starting a new roll of tape.

7. APPLICATION OF TOPCOAT - PREMIER ACRYLIC TOPCOAT:

The Premier Ultraseal RT Tape is overcoated with two coats of the Premier Acrylic Topcoat by means of a brush or roller.

Allow the first coat to dry before the application of the second coat.

Ensure the Premier Ultraseal RT Tape extended fabric interleaving is fully wet through with the Premier Acrylic Topcoat

Apply the two coats thick at the coverage of 3m² per litre (see Fig 10).

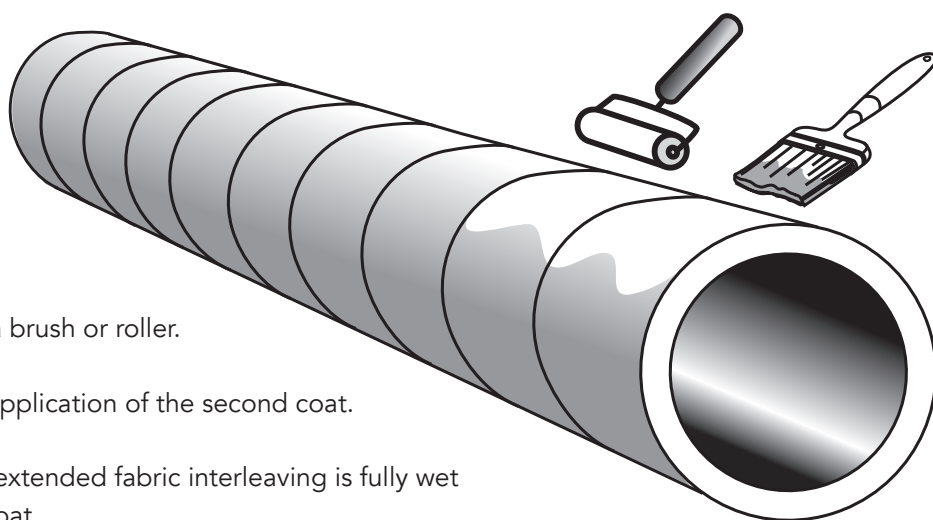


Fig 10.

8. STORAGE:

- Store products the correct way up in their original packaging on suitable racking and out of direct sunlight in a dry, cool and well ventilated environment.
- Store away from heat and flames.

9. WASTE DISPOSAL:

Please minimise or avoid waste wherever possible. Please do not discard waste material, including packaging, in the surrounding environment. Follow all relevant legislation for disposal.

IMPORTANT: Premier Coatings Ltd pursue a policy to develop and continually improve all of our products and therefore information given in this data sheet is intended as a general guide and does not constitute a warranty or specification. However, our sales personnel are committed to assisting the user in establishing the suitability of the product for its intended purpose and additional specific information is available on request. These Instructions may not cover all circumstances and must be read in conjunction with the project specifications. For further advice contact Premier Coatings Ltd.